



外觀設計註冊證明書
《註冊外觀設計條例》(第 522 章)
CERTIFICATE OF REGISTRATION OF DESIGN
Registered Designs Ordinance (Chapter 522)

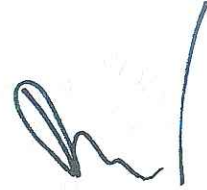
茲證明下述外觀設計之詳情於今日記入註冊紀錄冊:

I hereby certify that the design with the following particulars has been entered in the register today:

- [11] 註冊編號 Registration No.: 1802434.1
- [15] 註冊日期 Date of Registration: 2018 年 12 月 11 日
- [51] 洛迦諾分類號 Locarno Classification No.: Cl. 10-05
- [54] 物品 Article (s):
車輛檢測感應器 Vehicle detection sensor
- [55] 外觀設計的表述 Representation of the Design:
見後附表述 See attached representation(s)
- [57] 新穎性陳述 Statement of Novelty:
表述所顯示的物品的形狀和構形是聲稱具有新穎性的外觀設計特色。
The features of the design for which novelty is claimed are the shape and configuration of the article as shown in the representations.
- [73] 註冊擁有人姓名/名稱及地址 Name and Address of Registered Owner:
ITE Smartcard Solutions Limited
香港九龍
青山道 478 號
百欣大廈 1 樓 C 及 D 室

日期：2019年07月19日

Date : 19 July, 2019



外觀設計註冊處處長黃福來

David F.L. Wong
Registrar of Designs

- 註：** 1. 外觀設計的註冊，由註冊當日開始生效，而註冊日期則可追溯至註冊申請的提交日期。除聯繫或相應外觀設計外，外觀設計的註冊的首段有效期為自註冊申請的提交日期起計的5年。註冊有效期可每次再延展5年，但總共不得超過自註冊申請的提交日期起計的25年。

Note:

Registration of a design takes effect from the Date of Registration, which is backdated to the filing date of the application for registration. Except for associated or corresponding designs, the initial period of registration of a design is 5 years beginning on the filing date of the application for registration. The period of registration may be extended for additional periods of 5 years each but the total period of registration may not exceed 25 years beginning on the filing date of the application for registration.

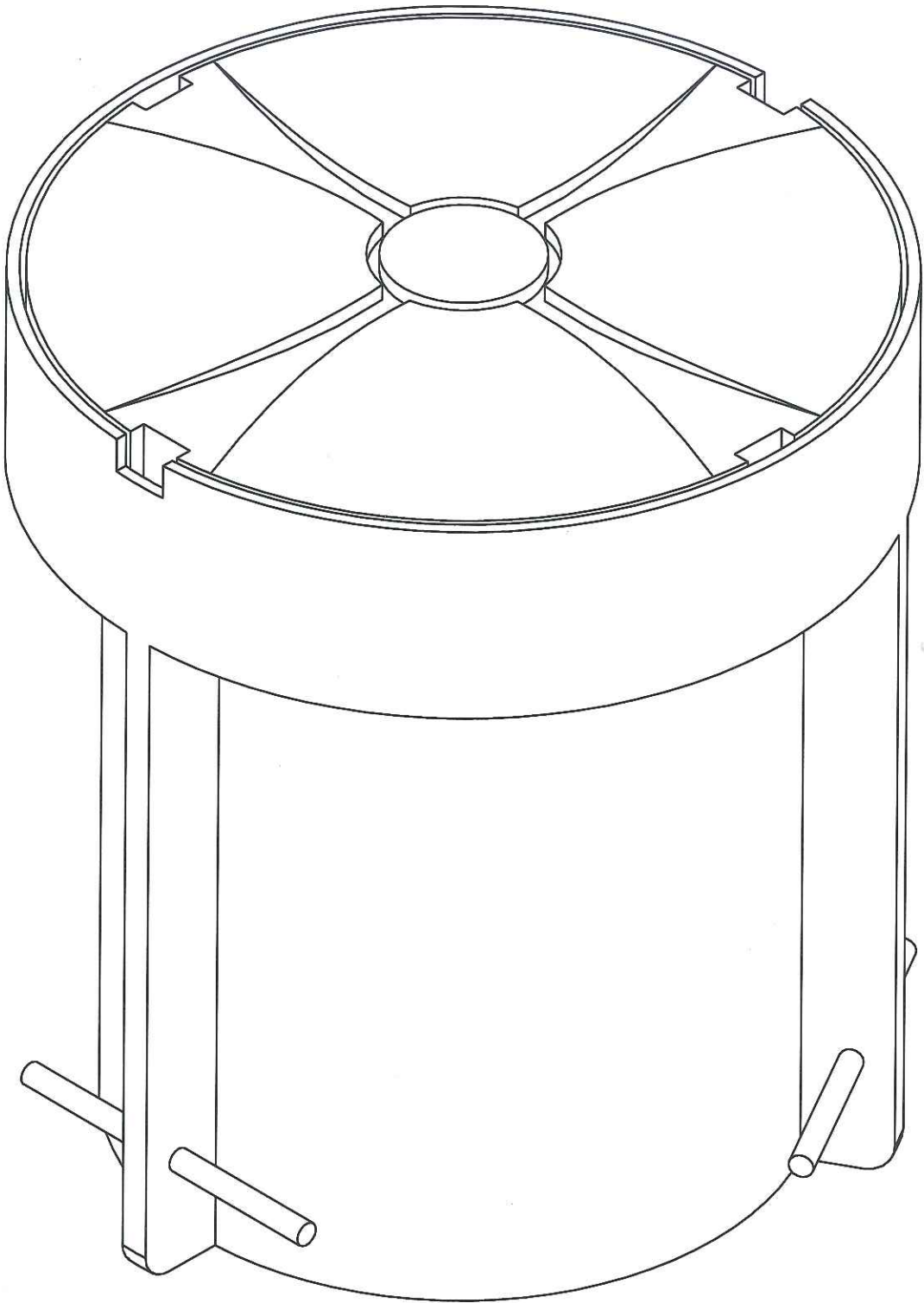
2. 本外觀設計的擁有權如有改變，或擁有人的姓名/名稱及/或地址/送達地址改變，必須立刻向外觀設計註冊處處長申請更改註冊。

Upon any change of ownership of this design, or change of name and/or address/address for service of the registered owner, application should AT ONCE be made to the Registrar of Designs to register the change.

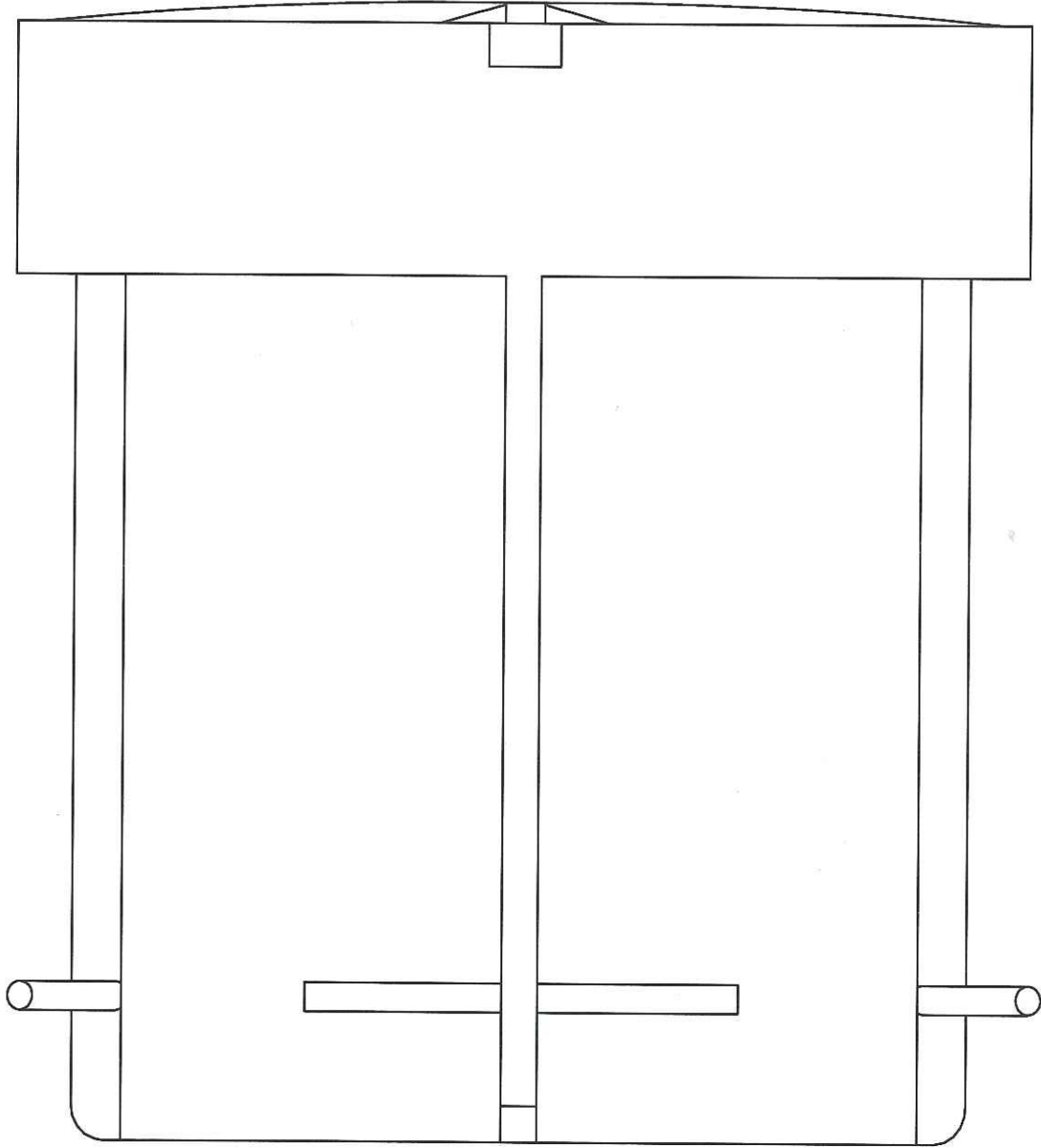
3. 外觀設計註冊處處長在註冊外觀設計前並無就外觀設計的可享註冊性進行實質審查。請參閱香港特別行政區知識產權署網站的“審查的性質”一節(http://www.ipd.gov.hk/chi/intellectual_property/designs/registration.htm)內的進一步資料。

Registration of a design does not follow a substantive examination of its registrability by the Registrar of Designs. For further information, please refer to the section “Nature of examination” of the website of Intellectual Property Department Hong Kong SAR (http://www.ipd.gov.hk/eng/intellectual_property/designs/registration.htm).

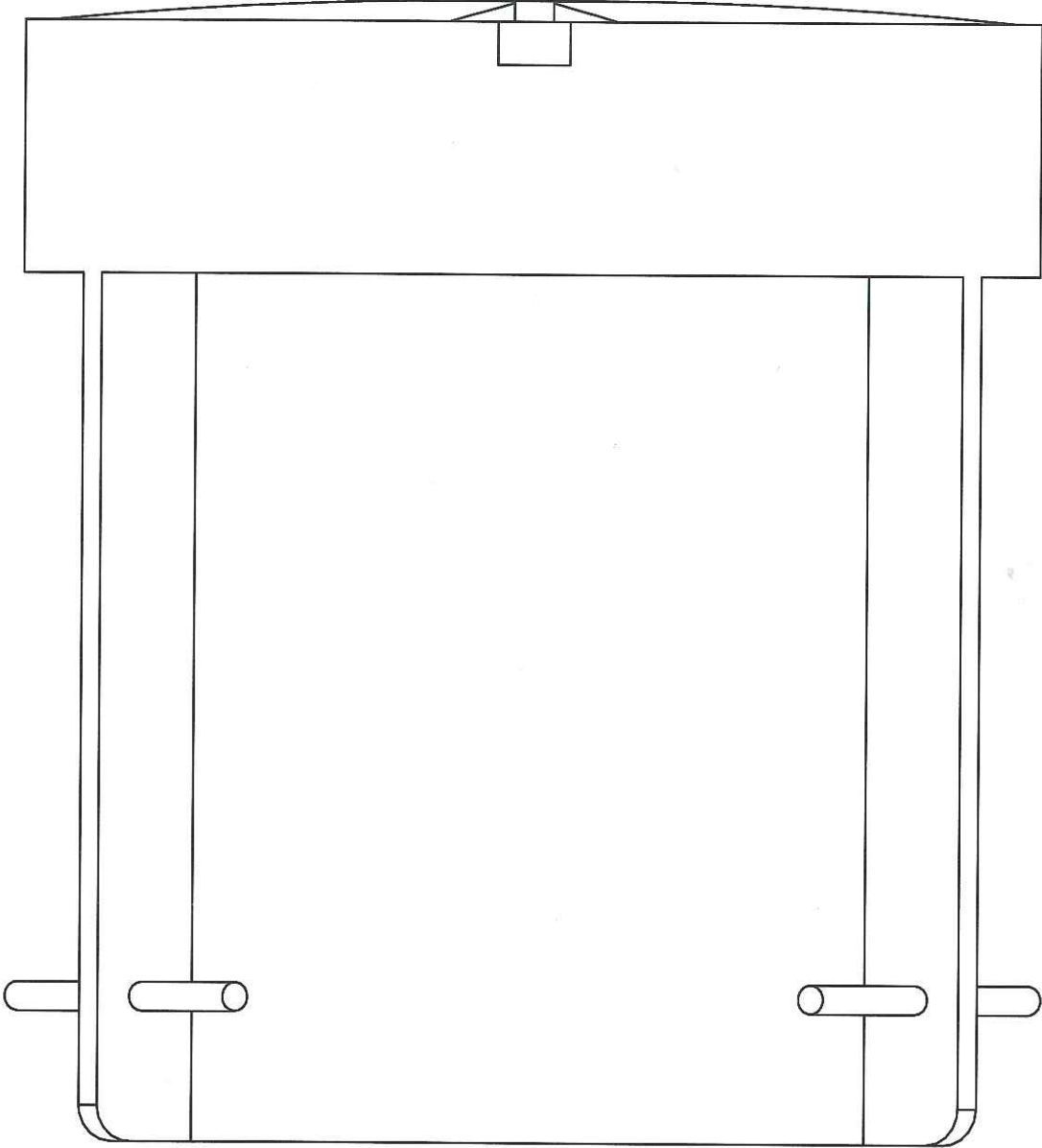




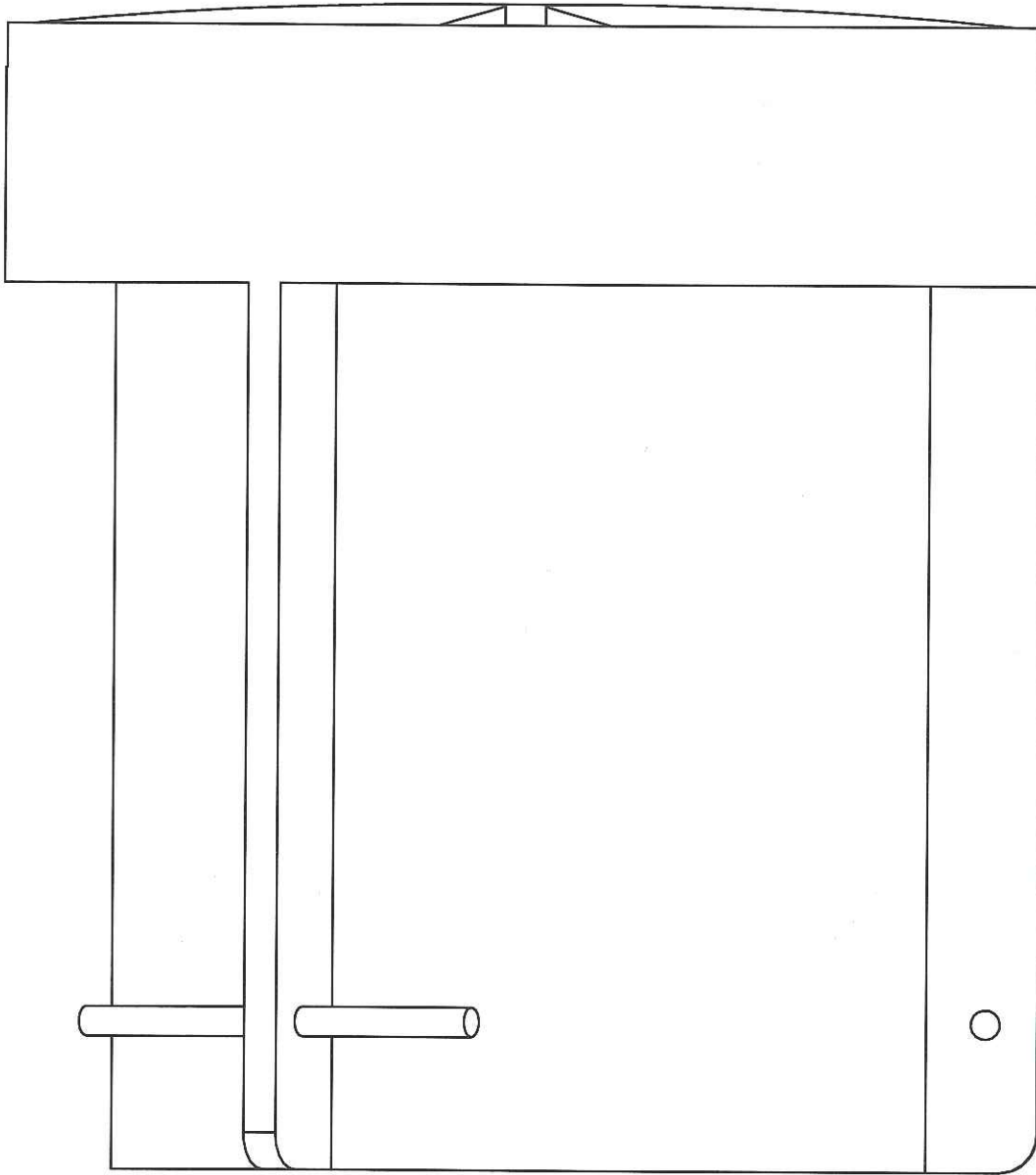
Perspective View



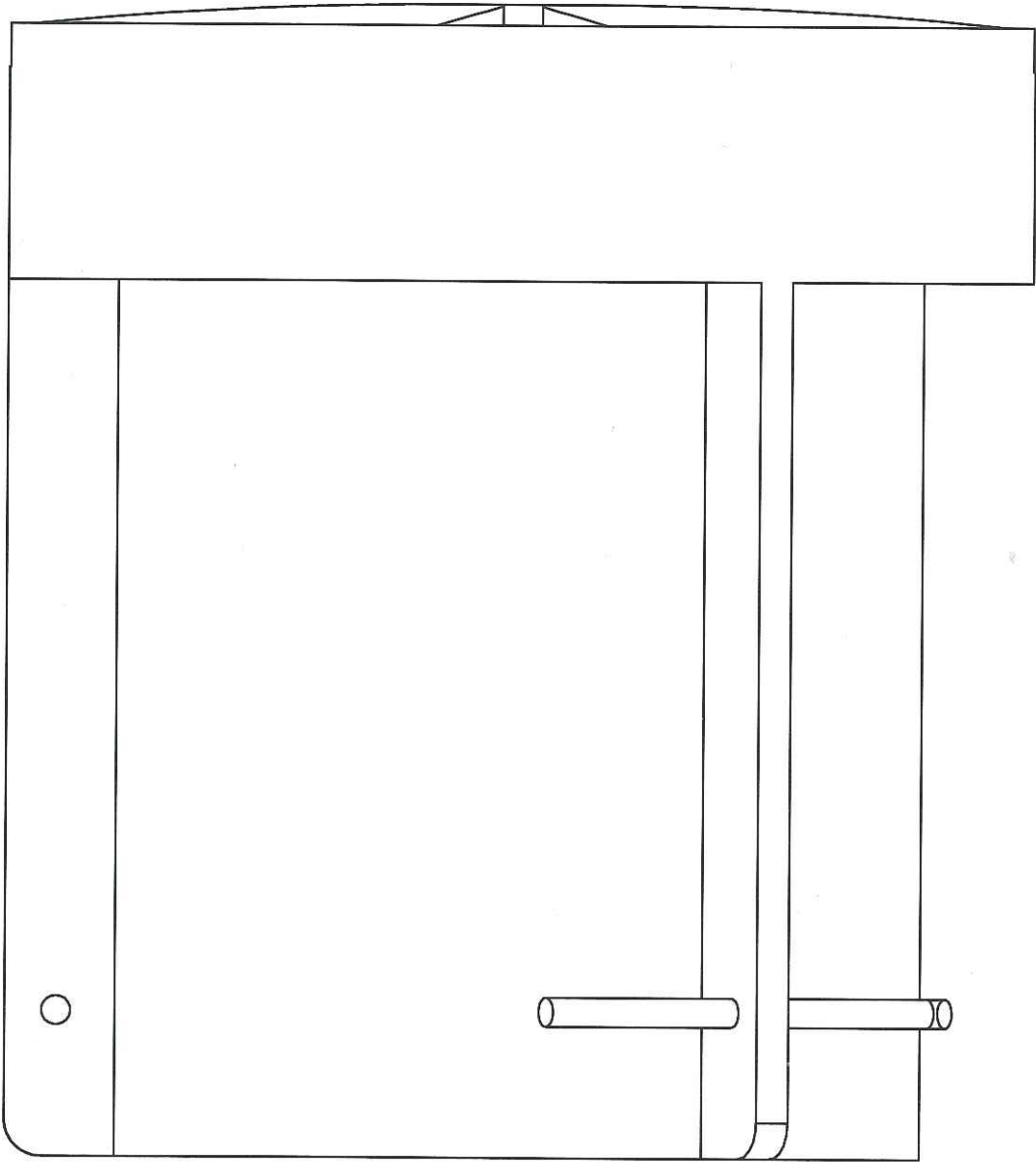
Front View



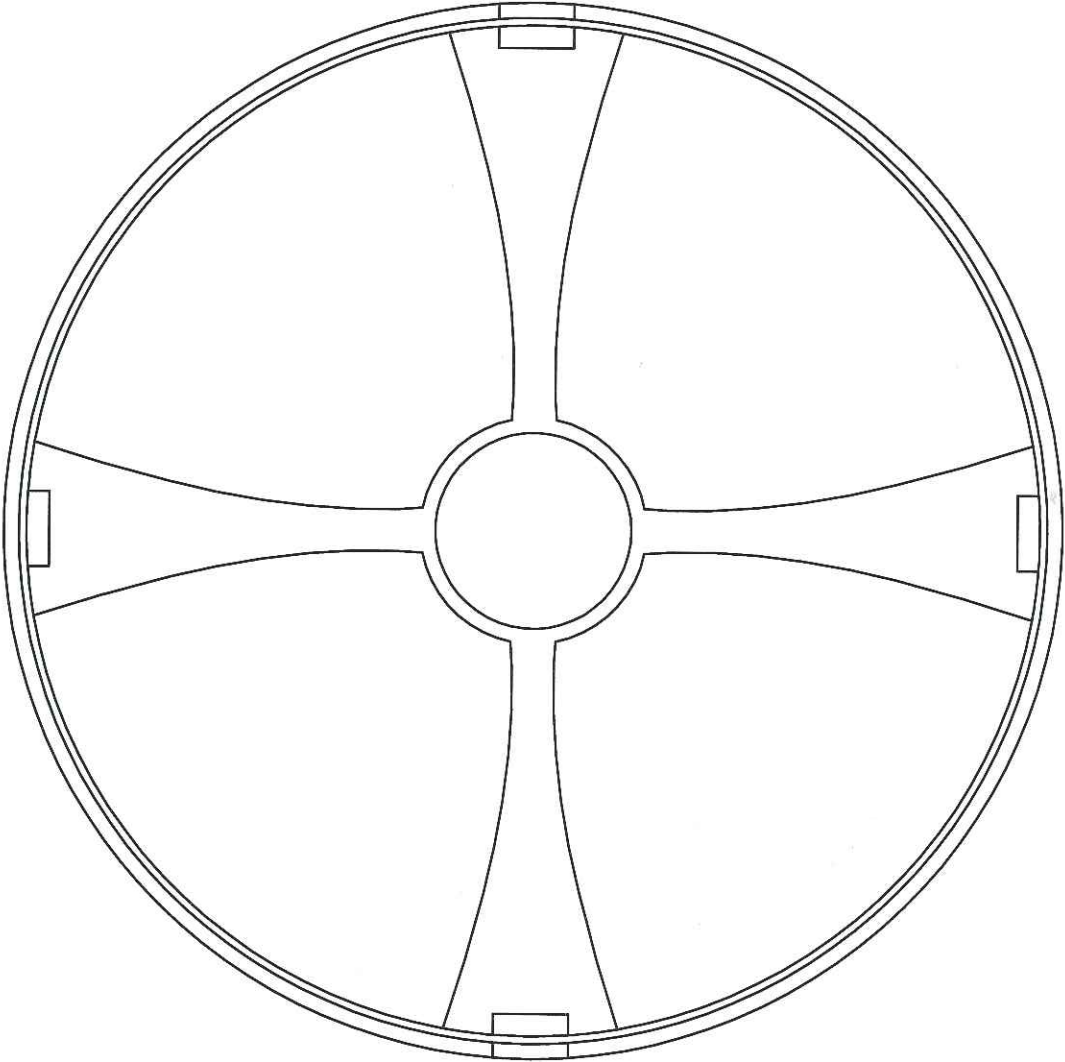
Rear View



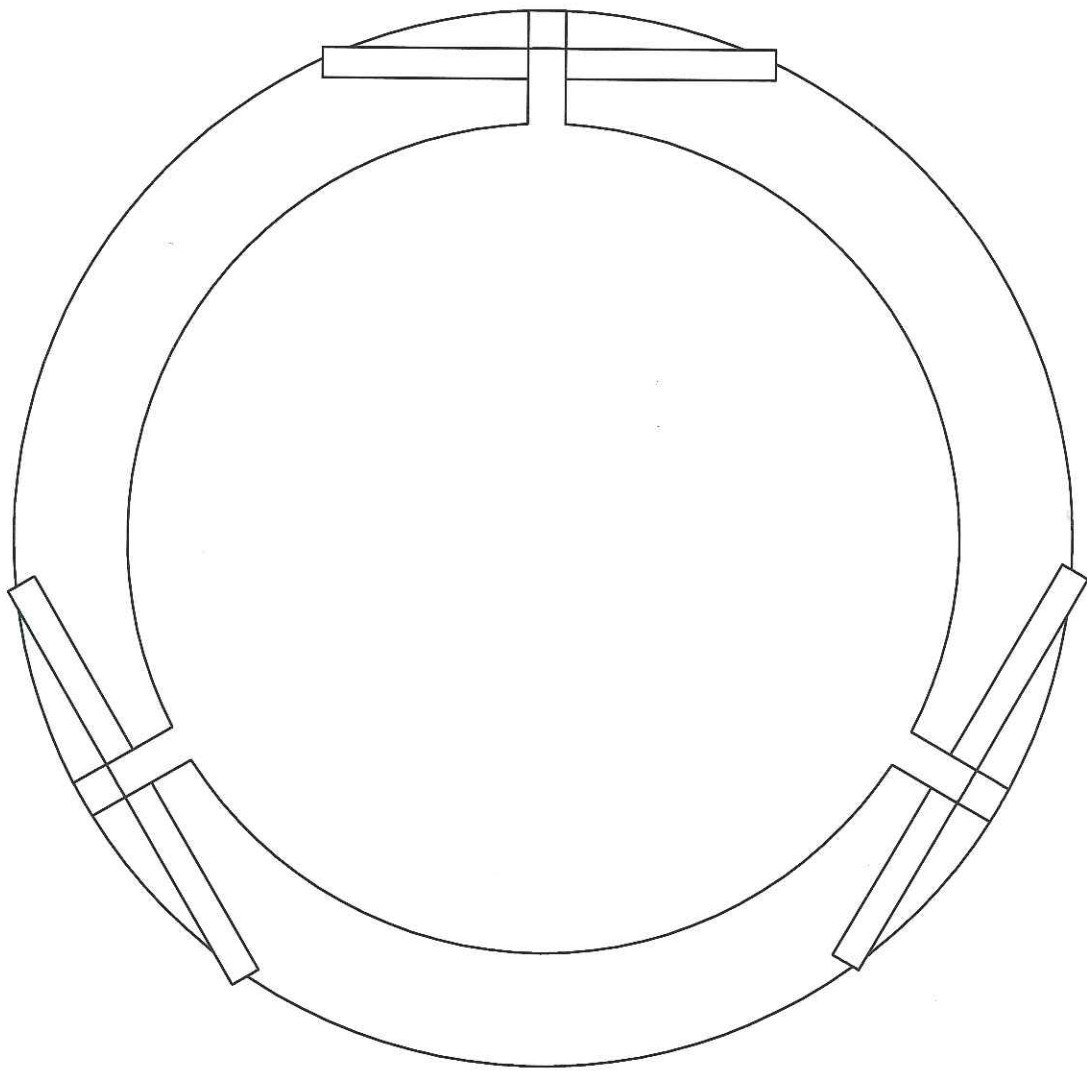
Left View



Right View



Top View



Bottom View